



EXTERNAL BLINDS

Z-90 Noval

1. Common section for all types of external blinds

1.1 Limit dimensions

Limit dimensions													
BLIND TYPE	OPERATION	Width [cm]				Height [cm]				Max. area of 1 blind	Max. width when connected [m]		Max.* area when connected
		Min.	Min. guarant.	Max.	Max. guarant.	Min.	Min. guarant.	Max.	Max. guarant.		Operation on the side	Operation in the middle	
C-80 / C80 CC	Crank	42	50	600	500	35	50	600	500	8 m ²	6	12	8 m ²
	Motor	43								20 m ²			36 m ²
C-80 VENTAL	Crank	46	50	600	500	35	50	600	500	8 m ²	6	12	8 m ²
	Motor									20 m ²			36 m ²
Z-90 NOVAL	Crank	46	50	600	500	35	50	600	500	8 m ²	6	12	8 m ²
	Motor									20 m ²			36 m ²
Z-70	Crank	42	50	600	500	35	50	600	500	8 m ²	6	12	8 m ²
	Motor									43			20 m ²
F-80	Crank	42	50	600	500	35	50	600	500	8 m ²	6	12	8 m ²
	Motor									43			20 m ²
EXT-50 H	Crank	42	50	400	300	35	50	500	350	8 m ²	6	12	8 m ²
	Motor									9 m ²			27 m ²
EXT-50	Cord	42	50	400	250	35	50	350	250	5 m ²	4	-	5 m ²
	Motor												
COMFORT SYSTEM	Crank	50	50	400	400	50	50	560	400	8 m ²	-	-	-
	Motor									16 m ²			-
ROLLER SHUTTER BOX	Crank	50	50	280	270	50	50	560	350	8 m ²	-	-	-
	Motor									9 m ²			-
Self-supporting system	Crank	42	50	280	250	35	50	520	400	8 m ²	5	7.5	8 m ²
	Motor									43			10 m ²
MISTRAL	Crank	50	50	300	300	30	50	300	300	8 m ²	6	9	8 m ²
	Motor									9 m ²			27 m ²

* When blinds are connected, a deviation of max. 20° concerning the tilting of slats towards each other occurs.

Products with exceeded minimum or maximum guaranteed dimensions may have different functional properties, especially these: more difficult operation, worsen closing movement, greater deflection of slats, inclined movement, reduced wind resistance. In the pricelist these products are marked as non-guaranteed.

When the connection is straight, it is possible to connect max. 3 external blinds.

When the connection is at 90° or 45°, it is possible to connect max. 2 external blinds.

For motor-operated blinds, it is recommended by the manufacturer to place the motor in the middle of the blind (it does not apply to EXT-50).

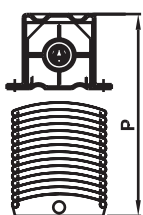
1.2 Various versions

Blind type	Slat width	OPERATION							Guiding			Sloped version	MISTRAL version
		Crank	Motor	Cord	Chain	Tilting to both sides	Open version	Self-supporting system	Guide rail	Wire	Wire extra		
C-80 / C80 CC	80 mm	■	•	NO	NO	180°	•	•	■	•	•	•	•
C-80 VENTAL	80 mm	■	•	NO	NO	NO	•	•	■	•	•	•	•
Z-90 NOVAL	90 mm	■	•	NO	NO	NO	•	•	■	•	•	•	•
Z-70	70 mm	■	•	NO	NO	NO	•	•	■	•	•	•	NO
F-80	80 mm	■	•	NO	NO	180° only in wire	•	•	■	•	•	NO	NO
EXT-50 H	50 mm	■	•	NO	NO	■	NO	•	•	■	•	NO	NO
EXT-50	50 mm	•	•	■	•	■	NO	NO	•	■	•	NO	NO
COMFORT SYSTEM	-	■	•	NO	NO	accord. to blind type	•	•	■	one side	•	NO	NO
ROLLER SHUTTER BOX	-	■	•	NO	NO	accord. to blind type	•	•	■	NO	•	NO	NO
Self-supporting system	-	■	•	NO	NO	accord. to blind type	•	•	■	NO	•	NO	NO

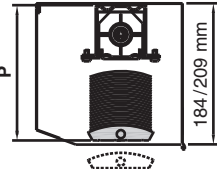
■ - standard • - for extra charge / deduction

Note: The side of operation is always determined from the interior.

1.3 Stack of slats height

		P - STACK OF SLATS HEIGHT (cm)															
		C-80		C-80 CC		C-80 VENTAL		Z-90 NOVAL		Z-70		F-80		EXT-50 H		EXT-50	
		crank	motor	crank	motor	crank	motor	crank	motor	crank	motor	crank	motor	crank	motor	crank	motor
BLIND HEIGHT	50 - 75 cm	14	16	13	15	12.5	14.5	11	13	15	17	11.5	13.5	11.5	13.5	9.5	
	75,1 - 100 cm	16	18	14	16	14	16	13	15	16	18	12.5	14.5				
	100,1 - 125 cm	18	20	16	18	15.5	17.5	14	16	17	19	13	15	13	15	11	
	125,1 - 150 cm	20	22	17	19	17	19	15	17	19	21	14	16				
	150,1 - 175 cm	22	24	19	21	18.5	20.5	17	19	21	23	14.5	16.5	14	16	12	
	175,1 - 200 cm	24	26	21	23	20	22	18	20	23	25	15.5	17.5				
	200,1 - 225 cm	26	28	22	24	21.5	23.5	19	21	25	27	16	18	15.5	17.5	13.5	
	225,1 - 250 cm	28	30	24	26	22.5	24.5	21	23	27	29	17	19				
	250,1 - 275 cm	30	32	25	27	23.5	25.5	22	24	28	30	17.5	19.5	17	19	15	
	275,1 - 300 cm	32	34	27	29	25	27	23	25	29	31	18.5	20.5				
	300,1 - 325 cm	34	36	28	30	26.5	28.5	24	26	31	33	19	21	18.5	20.5	16	
	325,1 - 350 cm	36	38	30	32	27.5	29.5	26	27	33	35	20	22				
	350,1 - 375 cm	38	40	31	33	29	31	27	29	35	37	20.5	22.5	20	22	-	
	375,1 - 400 cm	40	42	33	35	30	32	28	30	37	39	21	23				
	400,1 - 425 cm	42	44	34	36	31.5	33.5	29	31	38	40	22	24	-			
	425,1 - 450 cm	44	46	36	38	33	35	30	32	40	42	23	25				
450,1 - 475 cm	46	48	37	39	34.5	36.5	32	34	41	43	23.5	25.5	-				
475,1 - 500 cm	48	50	39	41	36	38	33	35	43	45	24.5	26.5					

1.3.1 Stack of slats height in roller shutter box

		P - STACK OF SLATS HEIGHT									
		F-80		C-80		C-80 CC		C-80 VENTAL		Z-70	
		crank	motor	crank	motor	crank	motor	crank	motor	crank	motor
BLIND HEIGHT	50 - 100 cm				18 cm						18 cm
	100,1 - 125 cm			18 cm						18 cm	
	125,1 - 130 cm										
	130,1 - 135 cm				20.5 cm						18 cm
	135,1 - 140 cm				22 cm						20.5 cm
	140,1 - 150 cm				22 cm					18 cm	21 cm
	150,1 - 155 cm			20.5 cm	24 cm						23 cm
	155,1 - 160 cm			22 cm	24 cm	18 cm	20.5 cm				23 cm
	160,1 - 175 cm			22 cm	24 cm		21 cm	18 cm	20.5 cm		23 cm
	175,1 - 190 cm			24 cm	26 cm	20.5 cm	23 cm		19.5 cm	23 cm	25 cm
	190,1 - 200 cm			24 cm	26 cm	21 cm	23 cm		21 cm	23 cm	25 cm
	200,1 - 225 cm		18 cm	26 cm	28 cm	22 cm	24 cm	20.5 cm	22.5 cm	25 cm	27 cm
	225,1 - 250 cm			28 cm	30 cm	24 cm	26 cm	21.5 cm	23.5 cm	27 cm	29 cm
	250,1 - 275 cm			30 cm	32 cm	25 cm	27 cm	22.5 cm	24.5 cm	28 cm	30 cm
	275,1 - 290 cm	18 cm		32 cm	34 cm	27 cm	29 cm	24 cm	26 cm	29 cm	31 cm
	290,1 - 300 cm		20.5 cm	32 cm	34 cm	27 cm	29 cm	24 cm	26 cm	29 cm	31 cm
300,1 - 325 cm			34 cm	36 cm	28 cm	30 cm	25.5 cm	27.5 cm	31 cm	33 cm	
325,1 - 350 cm		20.5 cm	36 cm	38 cm	30 cm	32 cm	26.5 cm	28.5 cm	33 cm	35 cm	

Legend: - box 180 - box 205 - box 205 (the blind overlaps the box)

Note: The stack of slats height is an approximate value which can vary due to technical reasons.

1.4 Standard colours of slats C, Z, F

SLAT NUMBER	PAINT	DESCRIPTION	RAL	VSR	C-80/CC	C-80 VENTAL	Z-90 NOVAL	Z-70	F-80
010	H	white	9003	010	■	-	■	■	-
9010	H	white	9010	-	■	■	■	■	■
140	S	silver (structured)	9006	140	■	-	■	■	-
140	H	silver	9006	140	■	■	■	■	■
9007	H	grey (silver)	9007	907	■	■	■	■	■
DB 703	H	dark grey	-	-	■	■	■	■	■
130	H	grey	7038	130	■	-	■	-	-
240	H	light beige	-	240	■	-	■	-	-
220	H	dark green	6005	220	■	-	■	-	-
780 H	H	bronze light	-	780	■	-	■	-	-
780 D	H	bronze dark	-	780	■	-	■	-	-
071	H	brown	8028	071	■	-	■	-	-
7022	H	grey	7022	-	■	-	■	■	■
7016	H	black (anthracite)	7016	-	■	■	■	■	■
905	H	black	9005	-	■	-	■	-	-
110	H	beige	-	110	■	-	■	-	-
440	H	azure blue	5009	440	■	-	■	-	-
330	H	purple red	3011	330	■	-	■	-	-
120	H	terracotta	3013	120	■	-	■	-	-
720	H	chrome yellow	1007	720	■	-	■	-	-
904	H	light grey	7035	904	■	-	■	-	-
909	H	green beige	1000	909	■	-	■	-	-
908	H	turquoise blue	5018	908	■	-	■	-	-
903	H	light grey-blue	5014	903	■	-	■	-	-
906	H	ultramarine blue	5002	906	■	-	■	-	-
9010 M*	H	grey	9010	-	■	-	■	-	-
140 M*	H	silver	9006	140	■	-	■	-	-
9007 M*	H	grey (silver)	9007	907	■	-	■	-	-
DB 703 M*	H	dark grey	-	-	■	-	■	-	-
7016 M*	H	black (anthracite)	7016	-	■	-	■	-	-

* Mecco protect – self-cleaning slat

1.4.1 Standard colours of slats EXT-50 H, EXT-50

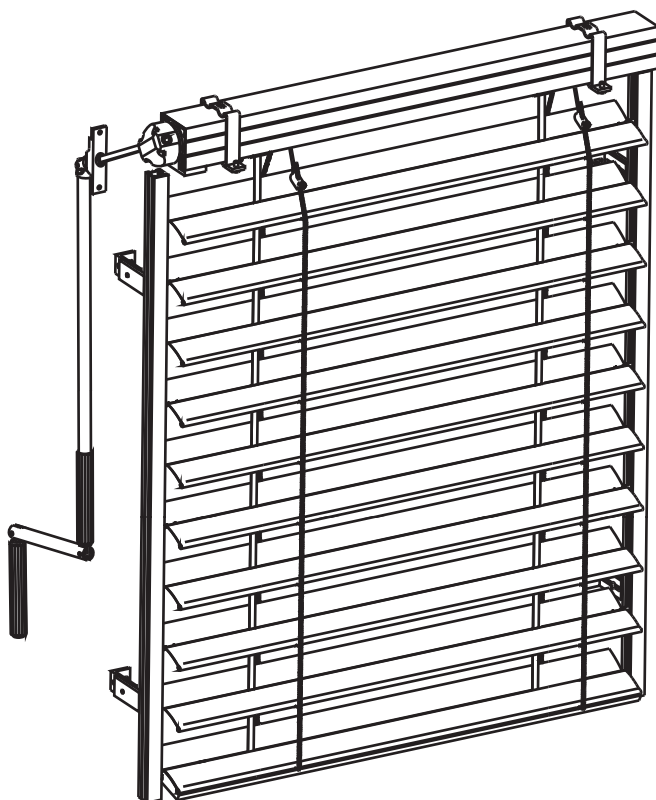
SLAT NUMBER	PAINT	DESCRIPTION	RAL	VSR
1	H	white (signal)	(9003)	010
12	H	light grey	-	904
13	H	grey (agate)	7038	-
14	H	silver (aluminium)	9006	140
14SP	SP	silver (aluminium)	9006	140
22	H	coffee	-	240
36	H	ivory	1013	-
44	H	wood imitation	-	-
49	H	black	9004	-
190	S	silver brocade	-	140
191	S	flint grey	(9007)	-
380	H	dark grey	7043	-
702	H	light green	-	-
950	H	brushed silver-grey	-	-

Legend: H - smooth paint S - structured paint SP - half-perforated smooth paint

Note: Each colour VSR is matched to the closest colour shade of the RAL collection. Slats colours - gloss 60%, other painted components - gloss 80%.

4. External blinds Z-90 NOVAL

4.1 Product specification



Standard version

- ✓ operation by crank - anodized
- ✓ gear-box, bushing POK 45°, □ 6 x 6, length 31 cm
- ✓ head rail 56 x 58 mm - zinc-coated
- ✓ mounting holders MD 1 - zinc-coated
- ✓ guide rails VL (1, 2, 3) - anodized
- ✓ guiding pin - metal
- ✓ tape 8 mm
- ✓ ladder, spacing 80 mm, fixed in hooks at the slat edge
- ✓ brackets K 1 - anodized
- ✓ standard slat colours according to the colour collection
- ✓ slat tilting to one side
- ✓ bottom rail - anodized

Other possible versions

- ✓ operation by motor
- ✓ bushing POK 90° or other; detachable crank; interior gear-box
- ✓ head rail 57 x 59 mm - Al
- ✓ mounting holders MD 1a - stainless steel, MD 1b - spring
- ✓ guiding in wire; wire-extra (wire holder DL standard)
- ✓ guide rails VL (4, 5, 6, 7, 8, 9)
- ✓ brackets K (2-6); telescopic brackets TK (1-6); TKP (1-4); TTK (1-8); PK 70 (only for VL 4, 5, 6)
- ✓ open version (working position)
- ✓ locking of bottom rail
- ✓ RAL colours
- ✓ MISTRAL version

Extra charges – see p. 38-42.

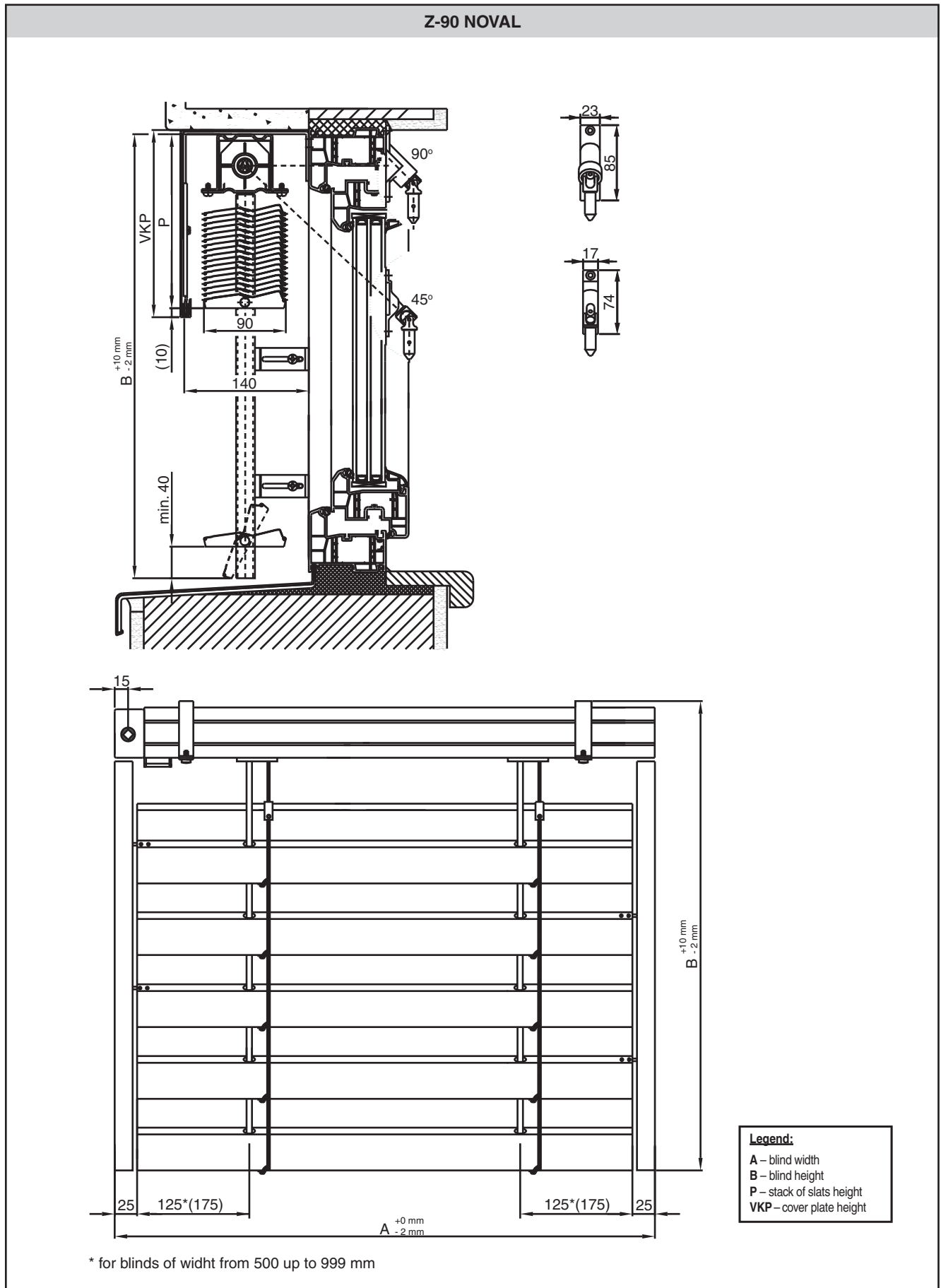
Colours - Z-90 NOVAL

Number	Description	RAL	VSR	Delivery date	Extra charge	Number	Description	RAL	VSR	Delivery date	Extra charge
010	white	9003	010			7016	anthracite	7016	-		
9010	white	9010	-			905	black	9005	-		
140 S	silver (structured)	9006	140			110	beige	-	110		
140 H	silver (smooth)	9006	140			440	azure blue	5009	440		
9007	silver - dark	9007	907			330	purple red	3011	330		
DB 703	dark grey	-	-			120	terracotta	3013	120		
130	grey	7038	130	1 week	no	720	chrome yellow	1007	720	1 week	no
240	light beige	-	240			904	light grey	7035	904		
220	dark green	6005	220			909	green beige	1000	909		
780 H	bronze light	-	780			908	turquoise blue	5018	908		
780 D	bronze dark	-	780			903	light grey-blue	5014	903		
071	brown	8028	071			906	ultramarine blue	5002	906		
7022	grey	7022	-								

Limit dimensions

BLIND TYPE	OPERATION	Width [cm]				Height [cm]				Max. area of 1 blind	Max. width when connected [m]		Max. area when connected
		Min.	Min. guarant.	Max.	Max. guarant.	Min.	Min. guarant.	Max.	Max. guarant.		Operation on the side	Operation in the middle	
Z-90 NOVAL	Crank	46	50	600	500	35	50	600	500	8 m ²	6	12	8 m ²
	Motor									20 m ²			36 m ²

4.2 Version



10.12 Manufacturing dimensions

